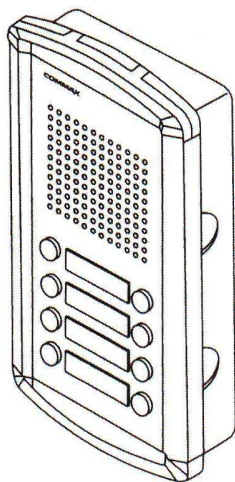


# Multi-Door Entry System

**Model No. DR-nAM**



Introduction.....	2
Important Safeguard.....	3
Preparation.....	4
Attach(Flushed) Consideration.....	5
Note On Use And Installation.....	5
How To Connection Wiring.....	6
How To Installation.....	6
System Network.....	7
Specification.....	7

## COMMAX Co.,Ltd.

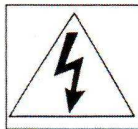
- Thank you for purchasing our COMMAX product.
- Please carefully read this User's Guide (in particular, precautions for safety) before using the product and follow the instructions to use your product exactly.
- The company is not responsible for any safety accidents caused in abnormal operation of the product.

## Introduction

Your unit is designed so it can be flush mounted/attached on the wall or used. When flush flush mounted/attached on the wall, the stand permits you to the unit for angular of unit view. The model number is located on the bottom and record the serial number in the space provided below(available). Refer to these numbers whenever you call upon your Commax dealer regarding this product.

Model No. \_\_\_\_\_ Serial No. \_\_\_\_\_

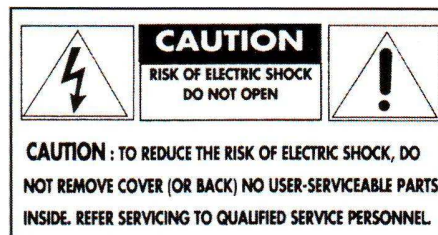
**To prevent fire or shock hazard, do not expose the unit to rain or moisture.**



This symbol is intended to alert the user to the presence of uninsulated "dangerous Voltage" within the product's enclosure that may be of sufficient magnitude to constitute a risk of electric shock to persons.



This symbol is intended to alert the user to the presence of important operating and maintenance(servicing) instructions in the literature accompanying the appliance.



©COMMAX COMPANY LIMITED  
All Rights Reserved  
COMMAX is trademark of COMMAX CO., LTD.  
and accessories are manufactured by COMMAX Co., Ltd.

## Important Safeguard

**Damage Requiring Service**-Unplug this equipment from the power source and refer servicing to qualified service personnel under the following conditions:

- a. when the power supply cord or plug is damaged;
- b. if liquid has been spilled or objects have fallen into the unit.;
- c. if the equipment has been exposed to rain or water;
- d. when the equipment exhibits a distinct change in performance-this indicates a need for service.

**Water and Moisture**-Do not use this product near water, for example, near a bath tub, wash bowl, kitchen sink, or laundry tub, in a wet basement, or near a swimming pool, and the like.

**Accessories**-The product may fall, causing serious injury to a child or adult, and serious damage to the appliance. Any mounting of the appliance should follow the manufacturer's instructions, and should use a mounting accessory recommended by the manufacturer.

**Object and Liquid Entry**-Never push objects of any kind into this product through openings as they may touch dangerous voltage points or short-out parts that could result in a fire or electric shock. Never spill liquid of any kind on the product.

**Overloading**-Do not overload power outlets and extension cords as this can result in a risk of fire or electric shock.

**Lightning**-For added protection for this product before a lightning storm, or when it is left unattached and unused for long periods of time, unplug it from the wall outlet and disconnect the other system. This will prevent damage to the product due to lightning and power-line surges. Be sure your antenna is properly grounded. If you live, RF cable and actuator/polarization surge protected to protect your appliance system from possible damage.

**Servicing**-Do not attempt to service this product yourself as opening or removing covers may expose you to dangerous voltage or other hazards. Refer all servicing to qualified service personnel.

**Replacement Parts**-When replacement parts are required, be sure the service technician has used replacement parts specified by the manufacturer or having the same characteristics as the original part. Unauthorized substitutions may result in fire, electric shock or other hazards.

**Safety Check**-Upon completion of service or repairs to this product, ask the service technician to perform safety checks to determine that the product is in proper operating condition.

**Power Line**-The commax door entry system should not be located near overhead power lines or other electric light or power circuits, or where it can fall into power lines or circuits. When installing a door entry system, avoid dangerous contact with power lines or circuits.

**Attachment**-Do not use attachments not recommended by the product manufacturer as they may cause hazards.

**Power Sources**-This equipment should be operated only from the type of power source indicated on the marking label.

**Grounding**-This product is equipped with a polarized alternating-current line plug. This plug will fit into the power outlet only one way. This is a safety feature. If the plug should fail to fit, contact your electrician to replace your obsolete outlet.

**Power Cord Protection**-Power-supply cords should be routed so that they are not likely to be walked on or pinched by items placed upon or against them; pay particular attention to cords at plugs, convenience receptacles and the point where cords exit from the equipment.

## General Feature

There is no where better than entry door home system, to make your house door entry home commax door entry system are here to provide positive entry door system and convenience life.

- Aluminium material prevent corrosion
- Easy installation and gracefulness design
- Capable of multi-installation for sub-units.
- Designed flush mounted on the wall type.
- Built-in L.E.D. for discriminated for the night and residents
- Wire ways : 3wires common and 1 wire single

## Preparation

- On Safety**
- For DC operation, operate the unit on 12V DC 500mA
  - Should any solid object or liquid fall into the cabinet, disconnected the unit and have it checked by qualified personnel before operating it any futher.-Allow adequate air circulation to prevent internal heat build-up.
- 
- On Installation**
- Do not place the unit on surfaces (rugs, blankets, etc) or near materials (curtains, drapereis) that may block the ventilation slots.
  - Do not install the unit near heat sources such as radiators or air ducts or in a place subject to direct sunlight, excessive dust, mechanical vibration or shock.
- 
- On Operating**
- Keep the unit and glass away from equipment with strong magnets, such as a microwave oven or large loudspeakers.
  - When the unit is not in use, turn off the power to conserve energy and to extend its useful life.
- 
- On Cleaning**
- Clean the cabinet, glass and controls with a dirt soft cloth, or a soft clothlightly moistened with mild detergent solution.
  - Do not use any type of solvent, such as alcohol or benzene, which might damage the finish.

## Attaching(Flushed) Consideration

### **When selecting location for mounting/attaching your unit, please remember...**

- Allow adequate space on the both side of the unit for proper ventilation access to control knob or cable and unit for aural easy.
- A power cord should be within reach of the DC line cord with the cord properly extended and secured(For using adapter is supplied and optional).
- The area directly below the unit should not be used for cooking radiator or by other appliances generating heat or steam.
- Keep in mind your normal work pattern especially the use of other counter top electrical appliances.

## Note On Use and Installation

### **Do Not Aim The unit At The Sun/Raining**

Do not aim the unit at the sun or point it at the sun/raining even if you are not shooting.

### **Do Not Shoot Intense Light**

Framing intense light such as a spotlight may cause bloom or smear. A vertical stripe may appear on the screen. However, A vertical stripe may appear on the screen. However, this is not a malfunction.

### **Treat The Unit With Care**

Do not drop the unit or subject it strong shock of vibration. Otherwise, the components may malfunction.

**Disconnect when you do not intend to use the unit for a long time.**

### **Do Not Slash Water On The Unit**

Install the unit where the unit can be kept dry. If the unit gets wet, turn off the power and contact you dealer.

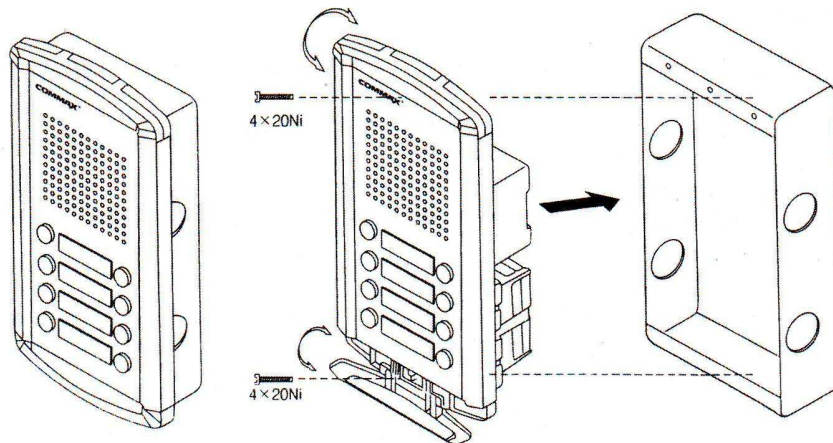
### **Install The Unit Where No Audio Noise Sound**

If cables are wired near electric lightning wires or a TV set, noise may appear in images. In this event, relocate cables or reinstall equipment.

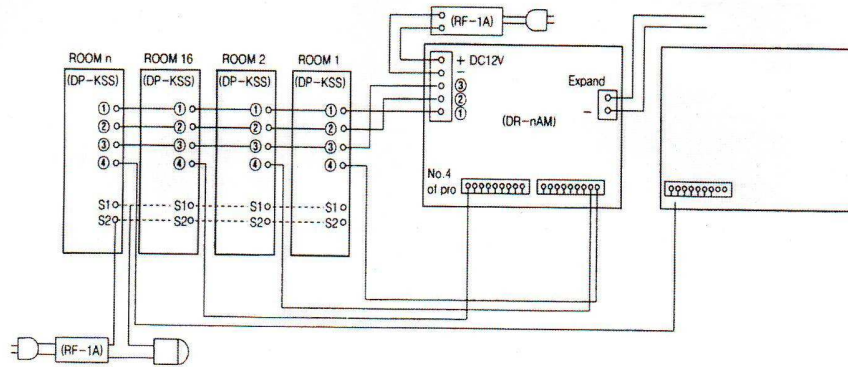
## How To Connection Wiring

1. For DC operation, operate the unit on 12V DC(RF-1A).
2. Make sure that checking to polarity before wire connection.
3. #1, 2, 3 of the unit(DR-nAM) connection to common wiring of other homes .
4. # B1~Bn wire connection to #4 of sub unit as steps, and other wires is cut off.
5. If installation is 16 house over, setting the extend terminal as the same connection the above 5.

## How To Installation



## System Network



## Specification

Model No. ....	DR-nAM
Input Voltage .....	DC 12V
Power Consumptions .....	300mA
Communication Ways .....	Synchronous Communication
Wire Connection Ways .....	3 Wires Common, 1 Wire single
Install Units .....	DP-MSS, DP-TS, DP-KSS
Communication Distance .....	For $\phi$ 0.65:100m For $\phi$ 1.0:200m
Ambient Temperature .....	-10 $^{\circ}$ C to +40 $^{\circ}$ C
Weight(g) .....	1400(Included Flushed Box)
Dimensions(W/H/D)mm .....	125/236/21
Flushed Box Dimensions(W/H/D)mm .....	For Big Size:112/297/60 For Small Size:112/213/60

*External design, features, functions and specifications of the product can be changed without any prior, for promoting the quality of the pro*

# **COMMAX**

Blooming Life, HomeNetwork

## **COMMAX Co.,Ltd.**

a513-11, Sangdaewon-dong, Jungwon-gu, Seongnam-si, Gyeonggi-do, Korea  
Int'l Business Dept. : Tel.; +82-31-7393-540~550 Fax.; +82-31-745-2133  
Web site : [www.commax.com](http://www.commax.com)

*Printed In Korea*